



**C.R. LAURENCE CO., INC.**  
**PROFESSIONAL QUALITY**

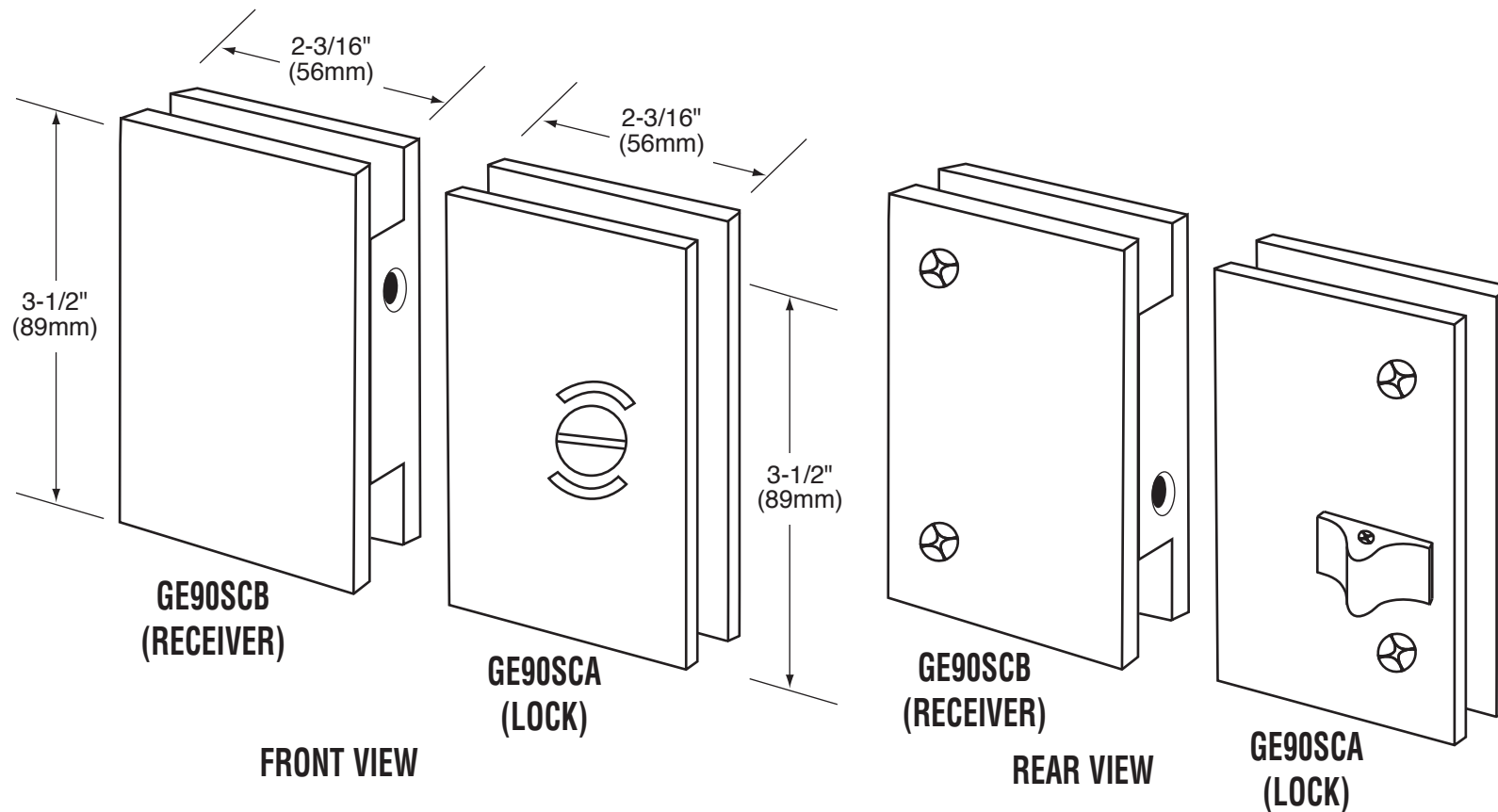
## Specifications:

**Material:** Solid Brass

**Glass Thickness:** 3/8" (9mm) to 1/2" (12mm)

**Notch Required**

**Includes:** Mounting screws and gaskets



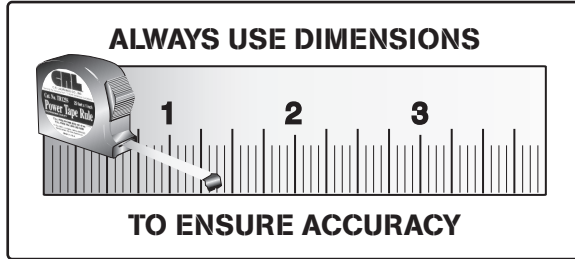
# GLASS DOOR LOCK WITH INDICATOR AND GLASS DOOR LOCK RECEIVER

CAT No. GE90SCB & GE90SCA

Template Shown on Next Page



**C.R. LAURENCE CO., INC.**  
PROFESSIONAL QUALITY



**NOTE:**

The minimum clearance between the door glass and the wall/panel is 1/8" (3mm) and the maximum clearance is 1/2" (12mm). The standard recommended clearance is 3/16" (5mm).

# GLASS DOOR LOCK WITH INDICATOR AND GLASS DOOR LOCK RECEIVER

CAT No. GE90SCB & GE90SCA

C.R. Laurence Co., Inc.  
 crlaurence.com

For technical assistance in the United States call toll free (800) 421-6144; from Canada call toll free (877) 421-6144; Outside the U.S. and Canada call (323) 588-1281. Ask for Tech Sales at Extension 7740. Toll free fax (800) 458-7496.

