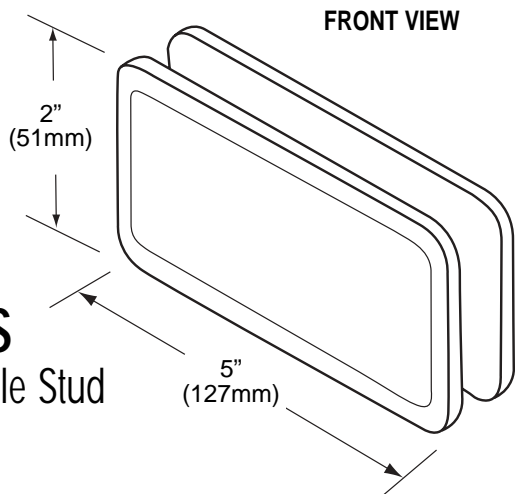




C.R. LAURENCE CO., INC.
PROFESSIONAL QUALITY

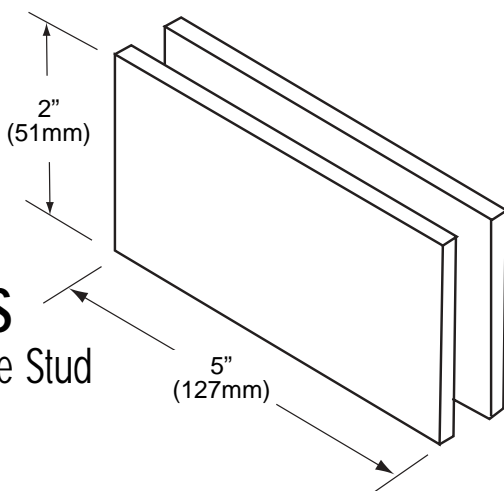
Specifications:

Material: Solid brass
Glass Thickness Range: 3/8"(10mm) to 1/2"(12mm)
Hole Size Required: 3/4" (19mm)
Includes: Screws and gaskets

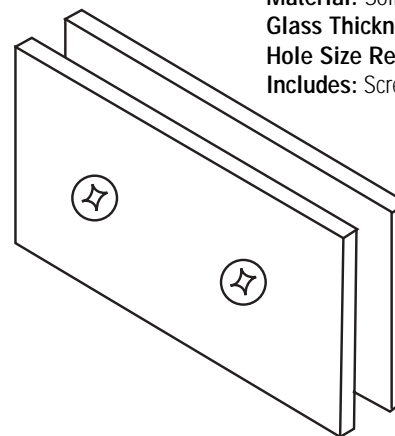


**HEAVY DUTY
GLASS CLAMPS**
Beveled 180° Double Stud
CAT. No.BGC180

FRONT VIEW



REAR VIEW



Specifications:

Material: Solid brass
Glass Thickness Range: 3/8"(10mm) to 1/2"(12mm)
Hole Size Required: 3/4" (19mm)
Includes: Screws and gaskets

**HEAVY DUTY
GLASS CLAMPS**
Square 180° Double Stud
CAT. No.SGC180

Template Shown on Next Page 4Y-3